



# Thermal Leverage

## COMMERCIAL & INDUSTRIAL STORAGE TANKS



- ✓ DOMESTIC WATER
- ✓ BOILER FEED WATER
- ✓ CONDENSATE RECEIVER
- ✓ SURGE
- ✓ FUEL OIL



*When you have  
Leverage  
use it!*

[www.thermalleverage.com](http://www.thermalleverage.com)  
[info@thermalleverage.com](mailto:info@thermalleverage.com)

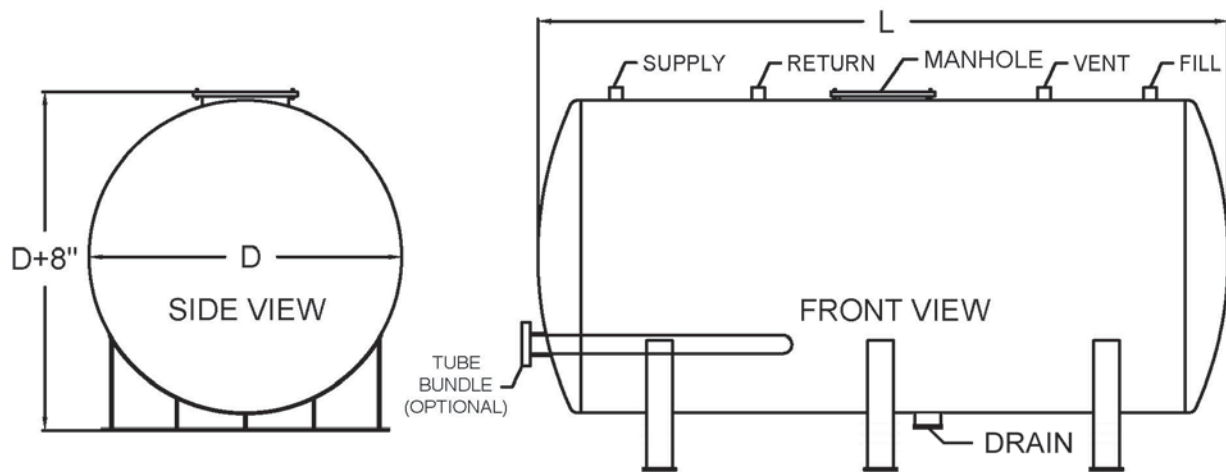
## TL Horizontal Tank

## Series-HT

TL HT Series Horizontal Tank can either be Shop or Field Built depending on on-site conditions. The dimensions and connections shown below can be configured for Oil storage, Domestic Water or Condensate service. Other sizes are readily available, made of carbon steel, carbon steel with special interior coatings, or stainless steel. For custom materials consult factory. Designed, built, and certified in accordance with NYC, ASME & UL-Standards.

### MORE TANK DESIGN FEATURES

- Perforated sparge pipes in all sizes can be furnished for feed water heating.
- Tube bundles of all sizes can be furnished for heat transfer.
- ASME code compliance manholes and hand holes can be furnished for servicing.



# TL Horizontal Tank Dimensions

# Series-HT

Capacity	Model No.	# Of Saddles	Overall Length	Weight
Gallons	HXX-XXXX	Qty.	L	Pounds
<b>D – 42</b>				
550	H42-550	2	8'-3"	3,610
700	H42-700	2	10'-1"	4,534
750	H42-750	2	11'-0"	4,881
1080	H42-1080	3	15'-8"	7,036
1500	H42-1500	4	21'-6"	9,731
2000	H42-2000	4	28'-5"	12,926
<b>D – 48</b>				
550	H48-550	2	6'-7"	3,203
700	H48-700	2	7'-11"	4,390
750	H48-750	2	8'-8"	5,050
1080	H48-1080	2	12'-2"	6,808
1500	H48-1500	2	16'-8"	9,182
2000	H48-2000	4	22'-0"	11,995
2500	H48-2000	5	27'-4"	14,808
<b>D – 60</b>				
1080	H60-1080	2	8'-2"	5,015
1500	H60-1500	2	11'-0"	6,882
2000	H60-2000	3	14'-4"	9,132
2500	H60-2500	4	17'-9"	11,383
3000	H60-3000	4	21'-2"	13,633
3500	H60-3500	5	24'-7"	15,884
4000	H60-4000	5	28'-1"	18,134
4500	H60-4500	5	31'-5"	20,385
5000	H60-5000	6	34'-9"	22,581
<b>D – 66</b>				
1080	H66-1080	2	6'-11"	4,579
1500	H66-1500	2	9'-3"	6,269
2000	H66-2000	3	12'-1"	8,321
2500	H66-2500	3	14'-11"	10,373
3000	H66-3000	4	17'-9"	12,425
3500	H66-3500	4	20'-6"	13,874
4000	H66-4000	4	23'-6"	16,469
5000	H66-5000	5	29'-0"	20,574
<b>D – 72</b>				
1080	H72-1080	2	5'-11"	4,425
2000	H72-2000	2	10'-4"	7,914
3000	H72-3000	3	15'-0"	11,600
4000	H72-4000	4	19'-9"	15,352
5000	H72-5000	4	24'-6"	16,478
6000	H72-6000	5	29'-3"	19,705
7000	H72-7000	6	33'-11"	22,854

Capacity	Model No.	# Of Saddles	Overall Length	Weight
Gallons	HXX-XXXX	Qty.	L	Pounds
8000	H72-8000	6	38'-8"	30,294
9000	H72-9000	7	43'-5"	34,046
10000	H72-10000	8	48'-1"	37,732
<b>D – 84</b>				
3000	H84-3000	3	11'-6"	10,103
4000	H84-4000	4	14'-11"	13,252
5000	H84-5000	4	18'-5"	16,478
6000	H84-6000	5	21'-11"	19,705
7000	H84-7000	5	25'-4"	22,854
8000	H84-8000	6	28'-10"	26,080
9000	H84-9000	6	32'-4"	29,306
10000	H84-10000	7	35'-9"	32,456
<b>D – 96</b>				
5000	H96-5000	4	14'-6"	14,645
6000	H96-6000	4	17'-2"	17,453
7000	H96-7000	4	19'-9"	20,173
8000	H96-8000	5	22'-5"	22,981
9000	H96-9000	6	25'-1"	25,789
10000	H96-10000	7	27'-9"	28,597
11000	H96-11000	7	30'-5"	31,404
12000	H96-12000	8	33'-1"	34,212
13000	H96-13000	8	35'-9"	37,020
14000	H96-14000	8	38'-5"	39,828
15000	H96-15000	9	41'-1"	45,005
16000	H96-16000	9	43'-7"	42,636
17000	H96-17000	10	46'-1"	47,638
18000	H96-18000	10	49'-2"	50,884
19000	H96-19000	11	51'-11"	53,780
20000	H96-20000	12	54'-5"	56,412
<b>D – 108</b>				
10000	H108-10000	6	22'-3"	25,663
12000	H108-12000	7	26'-6"	30,696
14000	H108-14000	8	30'-8"	35,630
16000	H108-16000	8	34'-11"	40,662
18000	H108-18000	10	39'-1"	45,596
20000	H108-20000	11	43'-3"	50,530
<b>D – 120</b>				
10000	H120-10000	7	18'-5"	23,421
15000	H120-15000	8	26'-11"	34,602
20000	H120-20000	11	35'-5"	45,782
25000	H120-25000	11	49'-7"	64,416
30000	H120-30000	15	55'-3"	71,541

\*ALL DIMENSIONS ARE IN FT-IN.

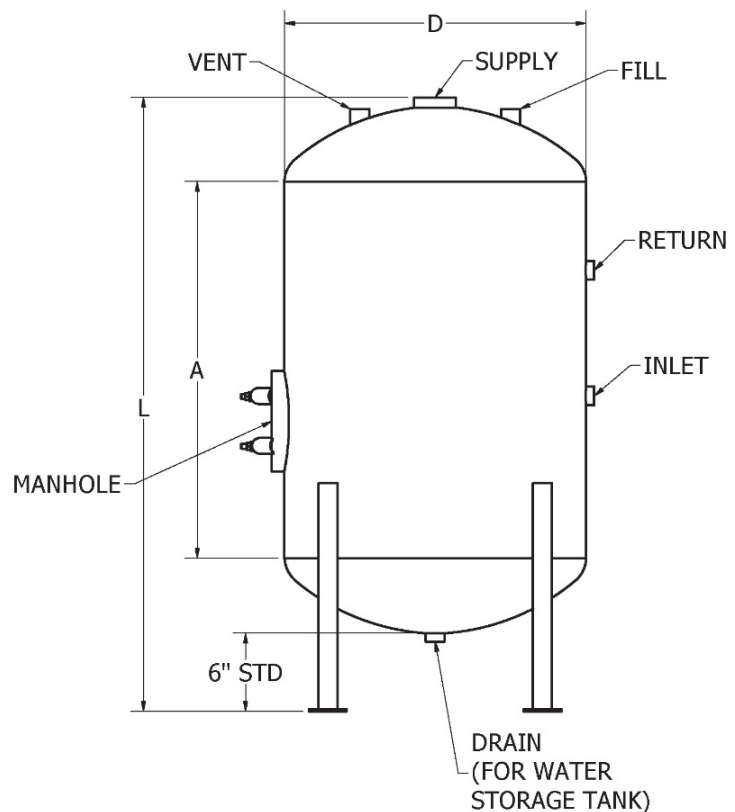
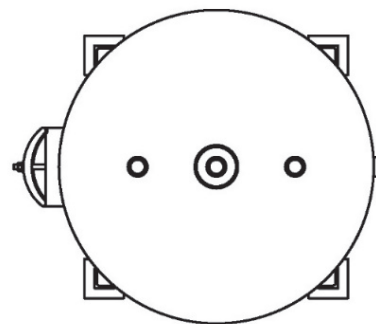
# TL Vertical Tank

# Series-VT

TL VT Series Vertical tank can either be Shop or Field Built depending on on-site conditions. The dimensions and connections shown below can be configured for oil storage, Domestic Water, or Condensate Service. Other size are readily available, made of carbon steel, carbon steel with special interior coatings or stainless steel. For custom materials consult the factory. Designed, built, and certified in accordance with NYC, ASME & UL-Standards.

## MORE TANK DESIGN FEATURES

- Perforated sparge pipes in all sizes can be furnished for feed water heating.
- Tube bundles of all sizes can be furnished for heat transfer.
- ASME code compliance manholes and hand holes can be furnished for servicing.



## TL Vertical Tank Dimensions

Capacity	Model No.	Shell Length	Overall Length	Weight
Gallons	VXX-XXXX	A	L	Pounds
<b>D – 24</b>				
120	V24-120	4'-7"	6'-1"	1,296
140	V24-140	5'-5"	6'-11"	1,521
165	V24-165	6'-6"	8'-0"	1,803
<b>D – 30</b>				
200	V30-200	4'-10"	6'-5"	1,730
225	V30-225	5'-6"	7'-2"	1,955
250	V30-250	6'-2"	7'-10"	2,180
300	V30-300	7'-7"	9'-3"	2,631
<b>D – 36</b>				
275	V36-275	4'-6"	6'-3"	1,975
300	V36-300	5'-0"	6'-9"	2,163
350	V36-350	5'-11"	7'-9"	2,537
400	V36-400	6'-11"	8'-8"	2,912
425	V36-425	7'-4"	9'-2"	3,099
450	V36-450	8'-0"	9'-7"	3,287
<b>D – 42</b>				
350	V42-350	4'-1"	6'-1"	2,203
400	V42-400	4'-9"	6'-9"	2,524
500	V42-500	6'-2"	8'-1"	3,167
550	V42-550	6'-11"	8'-10"	3,488
600	V42-600	7'-7"	9'-6"	3,809
650	V42-650	8'-6"	10'-3"	4,131
700	V42-700	8'-11"	10'-11"	4,452
750	V42-750	9'-8"	11'-7"	4,774
<b>D – 48</b>				
550	V48-550	5'-0"	7'-1"	3,056
600	V48-600	5'-7"	7'-8"	3,337
650	V48-650	6'-1"	8'-2"	3,617
700	V48-700	6'-8"	8'-8"	3,898
800	V48-800	7'-8"	9'-9"	4,460
900	V48-900	8'-9"	10'-10"	5,022
1080	V48-1080	10'-8"	12'-9"	6,034
<b>D – 54</b>				
650	V54-650	4'-6"	6'-9"	3,167
700	V54-700	4'-11"	7'-2"	3,417
750	V54-750	5'-4"	7'-7"	3,666
800	V54-800	5'-9"	8'-1"	3,916
900	V54-900	6'-7"	8'-11"	4,415
1000	V54-1000	7'-5"	9'-9"	4,914
1080	V54-1080	8'-1"	10'-5"	5,313
1200	V54-1200	9'-1"	11'-5"	5,912

\*ALL DIMENSIONS ARE IN FT-IN.

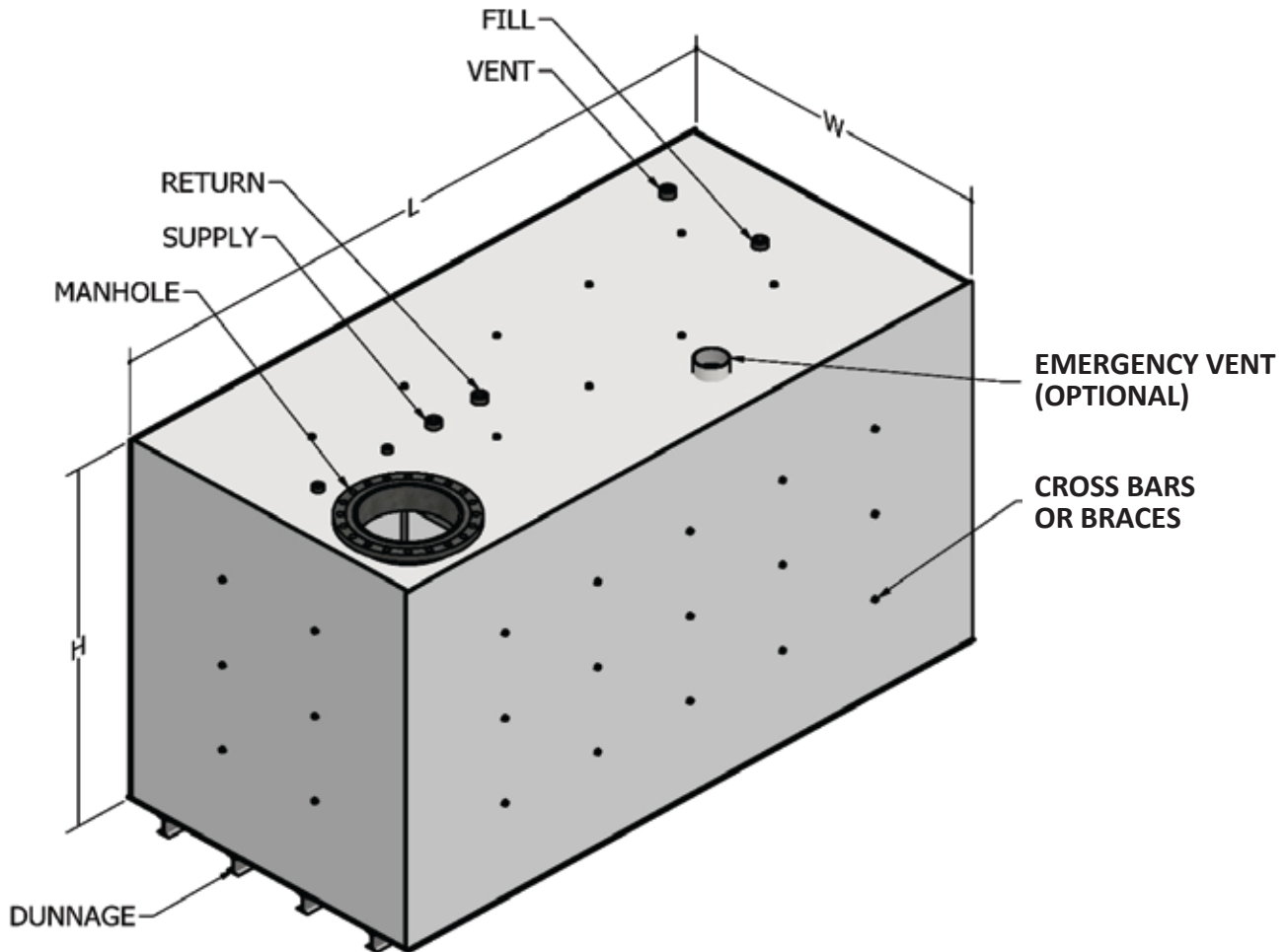
## Series-VT

Capacity	Model No.	Shell Length	Overall Length	Weight
Gallons	VXX-XXXX	A	L	Pounds
<b>D – 60</b>				
800	V60-800	4'-5"	6'-10"	3,529
900	V60-900	5'-1"	7'-6"	3,977
1000	V60-1000	6'-0"	8'-2"	4,426
1080	V60-1080	6'-4"	8'-9"	4,786
1200	V60-1200	7'-2"	9'-7"	5,324
1400	V60-1400	8'-6"	10'-11"	6,222
<b>D – 66</b>				
800	V66-800	3'-5"	5'-12"	3,164
850	V66-850	3'-8"	6'-3"	3,367
900	V66-900	3'-11"	6'-6"	3,571
1000	V66-1000	4'-6"	7'-1"	3,979
1080	V66-1080	4'-11"	7'-7"	4,306
1200	V66-1200	5'-8"	8'-3"	4,795
1400	V66-1400	6'-9"	9'-4"	5,611
1600	V66-1600	7'-11"	10'-6"	6,427
1800	V66-1800	9'-0"	11'-7"	7,243
<b>D – 72</b>				
1000	V72-1000	3'-7"	6'-3"	3,701
1080	V72-1080	3'-11"	6'-7"	4,000
1200	V72-1200	4'-6"	7'-2"	4,448
1400	V72-1400	5'-5"	8'-2"	5,196
1600	V72-1600	6'-5"	9'-1"	5,944
1800	V72-1800	7'-4"	10'-0"	6,691
2000	V72-2000	8'-3"	10'-11"	7,439
2500	V72-2500	10'-8"	13'-4"	9,308
<b>D – 84</b>				
1500	V84-1500	3'-11"	6'-11"	4,922
1600	V84-1600	4'-3"	7'-3"	5,242
1800	V84-1800	4'-11"	7'-11"	5,883
2000	V84-2000	5'-7"	8'-8"	6,524
2200	V84-2200	6'-4"	9'-4"	7,165
2500	V84-2500	7'-4"	10'-4"	8,126
3000	V84-3000	9'-1"	12'-1"	9,728
<b>D – 96</b>				
1800	V96-1800	3'-4"	6'-7"	5,237
2000	V96-2000	3'-10"	7'-1"	5,798
2200	V96-2200	4'-4"	7'-7"	6,358
2500	V96-2500	5'-2"	7'-8"	7,199
3000	V96-3000	6'-6"	8'-5"	8,600
3500	V96-3500	7'-10"	11'-1"	10,001
4000	V96-4000	9'-2"	12'-5"	11,402

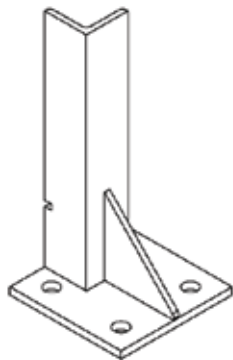
# TL Rectangular Tank

# Series- RT

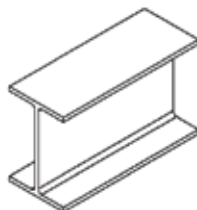
TL RT Series Rectangular Tank can either be Shop or Field Built depending on site conditions. The tanks can be built as UL-142, ASME, and/or NYC Alternate approved designs. The dimensions and connections shown below can be configured for Oil storage, Domestic Water or Condensate Service. Other sizes are readily available. Standard tanks made of carbon steel, carbon steel with coating, stainless steel containment can be provided on request.



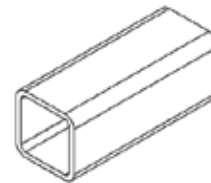
### TYPE OF SUPPORTS



ANGLE WITH ANCHOR PLATE



I-BEAM



SQUARE TUBE

# TL Rectangular Tank Dimensions

# Series- RT

Capacity	Model No.	Length	Width	Height	Weight
Gallons	RXX-XXXX	L	W	H	Pounds
1000	R60-1000	6'-8"	5'	4'	2,179
1500	R60-1500	10'-0"	5'	4'	3,008
2000	R60-2000	10'-8"	5'	5'	3,583
2500	R60-2500	11'-2"	5'	6'	4,127
3000	R60-3000	11''-6"	5'	7'	4,652
3500	R72-3500	19'-6"	6'	4'	6,020
4000	R72-4000	17'-10"	6'	5'	6,179
4500	R72-4500	20'-1"	6'	5'	6,854
5000	R72-5000	18'-7"	6'	6'	7,045
5500	R72-5500	20'-5"	6'	6'	7,656
6000	R72-6000	19'-2"	6'	7'	7,875
6500	R72-6500	20'-8"	6'	7'	8,440
7000	R72-7000	19'-6"	6'	8'	8,682
7500	R72-7500	20'-11"	6'	8'	92,12
8000	R84-8000	38'-2"	7'	4'	12,394
8500	R84-8500	40'-7"	7'	4'	13,123
9000	R84-9000	34'-5"	7'	5'	12,308
9500	R84-9500	36'-3"	7'	5'	12,941
10000	R84-10000	31'-10"	7'	6'	15,438
11000	R84-11000	30'-0"	7'	7'	15,790
12000	R84-12000	28'-8"	7'	8'	16,258
13000	R96-13000	43'-5"	8'	5'	20,757
14000	R96-14000	39'-0"	8'	6'	20,228

Capacity	Model No.	Length	Width	Height	Weight
Gallons	RXX-XXXX	L	W	H	Pounds
15000	R96-15000	35'-10"	8'	7'	20,071
16000	R96-16000	33'-5"	8'	8'	20,148
17000	R108-17000	50'-6"	9'	5'	25,926
18000	R108-18000	44'-7"	9'	6'	24,719
19000	R108-19000	40'-4"	9'	7'	24,071
20000	R108-20000	37'-2"	9'	8'	23,771
21000	R108-21000	36'-4"	9'	9'	24,712
22000	R108-22000	36'-0"	9'	9'	25,204
23000	R108-23000	35'-8"	9'	9'-6"	25,707
24000	R108-24000	35'-4"	9'	10'	26,220
25000	R108-25000	52'-3"	9'	10'-6"	31,685
26000	R108-26000	47'-6"	9'-6"	7'	30,766
27000	R108-27000	43'-9"	9'-6"	8'	30,215
28000	R108-28000	42'-11"	9'-6"	9'	30,519
29000	R108-29000	42'-3"	9'-6"	9'-6"	30,851
30000	R108-30000	41'-7"	9'-6"	10'	31,208
31000	R108-31000	42'-11"	9'-6"	10'-6"	32,114
32000	R108-32000	63'-0"	9'-6"	10'-6"	39,037
33000	R108-33000	56'-10"	10'	7'	37,501
34000	R108-34000	52'-0"	10'	8'	36,469
35000	R108-35000	50'-8"	10'	9'	36,559
36000	R108-36000	49'-6"	10'	10'	36,697
40000	R108-40000	48'-5"	10'	10'-6"	36,877

\*ALL DIMENSIONS ARE IN FT-IN.

**Rectangular Tank with Containment**



**Cylindrical Tank with Containment**



**Double Wall Cylindrical Tank**



## THERMAL LEVERAGE PACKAGED SYSTEMS

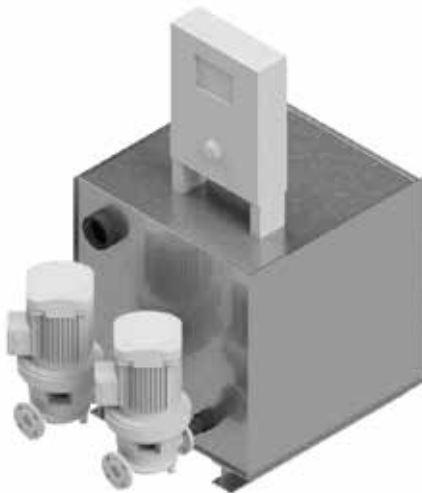
- Blowdown Systems
- Feed Water Systems
- Flash Tanks
- Condensate Cooler/Pre-heater
- Heat Transfer Modules



FEED WATER PUMP SYSTEMS



BLOWDOWN TANKS



CONDENSATE RECEIVERS



CONDENSATE COOLER/DOMESTIC  
WATER PRE-HEATER